

MOBILE SHIELDS

Moveable Protective Shields for Flexible Use

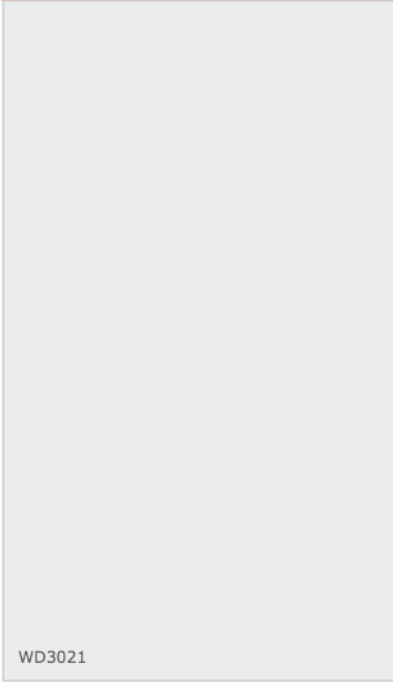
MAVIG produces mobile shields from the most modern protective material in a variety of options. All requirements of equipment and procedural methodology of the operation room, as well as all demands of the personnel have been taken into consideration. We of course welcome specific needs of our clients in addition to our standard offerings.

With exception to models WD254, WD255, and WD258, all of our mobile shields are fitted with special wheels to reduce electrostatic electricity.

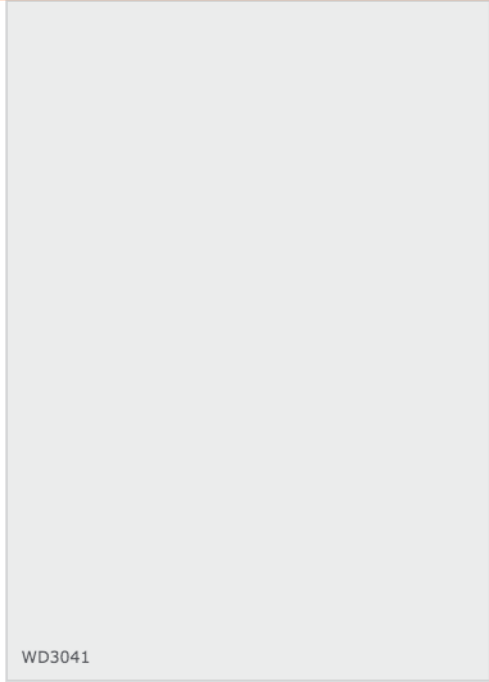


MOBILE SHIELDS WD257, WD302, WD304


WD2571



WD3021



WD3041

Article-No.

Description

WD2571

 Steel plate body (Pb 1.00 mm), width: 78.0 cm, height: 104.0 cm
 Height adjustable lead acrylic shield (Pb 0.50 mm), width: 70.0 cm, overall height: 115.0 - 188.0 cm

WD3021

 Steel plate body (Pb 1.00 mm), width: 78.0 cm, height: 78.0 cm
 Height adjustable lead acrylic shield with contour cutout (Pb 0.50 mm), width: 70.0/110.0 cm, overall height: 143.0 - 190.0 cm

WD3041

 Steel plate body (Pb 1.00 mm), width: 78.0 cm, height: 78.0 cm, with an extra lower body protection attachment of overlapping lead rubber panels (Pb 0.50 mm), width: 50.0 cm
 Height adjustable lead acrylic shield with contour cutout (Pb 0.50 mm), width: 70.0/110.0 cm, overall height: 143.0 - 190.0 cm

E-WD304B02

Side panel upgrade kit, the extra lower panels of the WD3041 which can be mounted to the WD3021

MOBILE RADIATION SHIELD WD261


Body-contoured, individually height-adjustable, mobile radiation protective shield provides mobile X-ray protection in any location where X-ray protection is currently absent or lacks flexibility, leaving your safety at risk and disrupting your work routine.

- Smooth and effortless height adjustment to fit individual needs
- Anatomically formed for a close body fit
- Easy and comfortable control pedal use
- Electrically conductive wheels with brakes (back) and cable deflectors (front)
- Durable and easy to clean outer material: MAVIG ComforTex® HPMF

Dimensions	Height:	1060 mm - 1360 mm
	Width:	635 mm
	Depth:	562 mm

Lead Equivalent	Pb 0.50 mm
Curtain Material	ComforTex® HPMF, Dual Colour Design Mandarin/Titan

Article-No.

Description

WD26105

 Mobile radiation shield with Pb 0.50 mm
 Including one box of sterile disposable covers (STEA-WD261)

STEA-WD261

Sterile disposable covers, 20 pcs./box

* All mobile shields on this page are equipped with electroconductive casters/wheels.

TS

OT

GD

LE

HZ

UT

WD

VH

DGS

GR

MOBILE SHIELDS

MOBILE SHIELDS WD300, WD306, WD308



Article-No.	Description
WD300	Curved lead-acrylic shield with side arm cutouts, Pb 0.50 mm, 60.0 x 178.5 cm (W x H) Overall height: 190.0 cm, width: 82.0 cm (base)
WD306/0.5/1000	Mobile protective shield, Pb 0.50 mm, 100.0 x 187.0 cm (W x H) Overall height: 197.0 cm, Base: 137.0 cm x 66.5 cm (W x D)
WD306/0.5/1300	Mobile protective shield, Pb 0.50 mm, 130.0 x 187.0 cm (W x H) Overall height: 197.0 cm, width: 167.0 cm x 66.5 cm (W x D)
WD306/1.0/1000	Mobile protective shield, Pb 1.00 mm, 100.0 x 187.0 cm (W x H) Overall height: 197.0 cm, Base: 137.0 cm x 66.5 cm (W x D)
WD306/1.0/1300	Mobile protective shield, Pb 1.00 mm, 130.0 x 187.0 cm (W x H) Overall height: 197.0 cm, Base: 167.0 cm x 66.5 cm (W x D)
WD308/0.5/800	Mobile protective shield, Pb 0.50 mm, 80.0 x 100.0 cm (W x H) Overall height: 110.0 cm, Base: 117.0 cm x 66.5 cm (W x D)
WD308/0.5/1000	Mobile protective shield, Pb 0.50 mm, 100.0 x 185.0 cm (W x H) Overall height: 195.0 cm, Base: 137.0 cm x 66.5 cm (W x D)
WD308/1.0/800	Mobile protective shield, Pb 1.00 mm, 80.0 x 100.0 cm (W x H) Overall height: 110.0 cm, Base: 117.0 cm x 66.5 cm (W x D)
WD308/1.0/1000	Mobile protective shield, Pb 1.00 mm, 100.0 x 185.0 cm (W x H) Overall height: 195.0 cm, Base: 137.0 cm x 66.5 cm (W x D)

* All given overall heights include the electroconductive casters/wheels.

LOWER BODY PROTECTION WD260



WD260

WD260 - Lower Body Protection

This mobile shield is a great solution for situations when a standard table mounted system can not achieve the protection needed, or for tables that lack accessory rails. Simply roll the WD260 into position and lock in place.

- Overlapping, flexible X-ray protective panels with PVC covering
- Lead equivalent Pb 0.50 mm
- Height: 100.0 cm
- Widths: 60.0 cm (middle part)
20.0 cm (each angled side part)
- Two separate removable upper shields with 17.0 cm or 25.0 cm height available
- Electroconductive casters/wheels for easy maneuverability

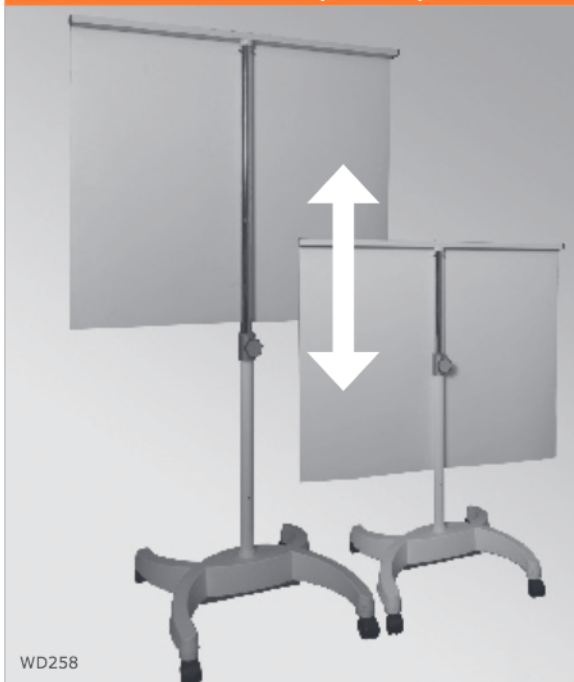
Article-No.

Description

WD260/100/81/E

Mobile lower body protection with two removable upper shields (heights: 25.0 cm and 17.0 cm), a 60.0 x 100.0 cm middle section and 20.0 x 100.0 cm angled sections each side, all in Pb 0.50 mm
Width: 83.0 cm, height: 100.0 cm (without upper shields)

MOBILE SHIELDS WD254, WD255, WD258



WD258



WD254



WD255

Article-No.

Description

WD2541B

Foldable protective screen in Pb 1.00 mm, with a middle section (width: 80.0 cm) and two side, sections (width: 60.0 cm), overall height 200.0 cm; including a 40.0 x 30.0 cm lead glass window

WD2542B

Foldable protective screen in Pb 2.00 mm, with a middle section (width: 80.0 cm) and two side, sections (width: 60.0 cm), overall height 200.0 cm; including a 40.0 x 30.0 cm lead glass window

WD2551B

Mobile protective screen, 100.0 x 200.0 cm (W x H), Pb 1.00 mm, including a 40.0 x 30.0 cm lead glass window

WD2552B

Mobile protective screen, 100.0 x 200.0 cm (W x H), Pb 2.00 mm, including a 40.0 x 30.0 cm lead glass window

WD258

Mobile bed screen 90.0 x 70.0 cm (W x H), height adjustable from 125.0 to 172.0 cm, Pb 0.50 mm
*Customized versions with different dimensions or Pb 1.00 mm are available upon request.
The maximal area of the x-ray protective screen is limited by the load capacity of the pneumatic spring!*

** All given overall heights include the casters/wheels.*

TS

OT

GD

LE

HZ

UT

WD

VH

DGS

GR